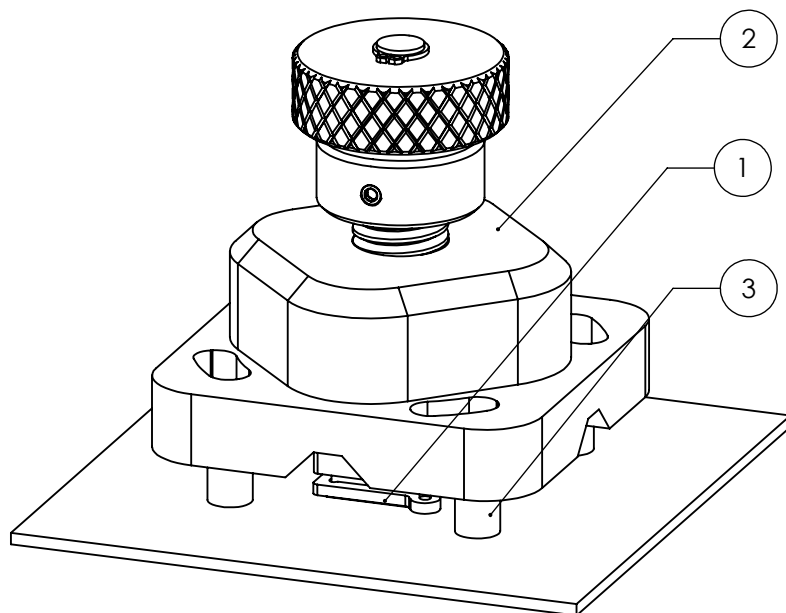


REVISION			
REV.	DESCRIPTION	DATE	APPROVED



ITEM NO.	PART NUMBER	DESCRIPTION	QTY.
1	F14-1075-A-01	F14 Contactor Assembly, 12x20mm Device	1
2	F14-1075-A-05	F14 Load Clamp Assembly	1
3	01-0210-AA00	F14 Mounting Screw, M3	4

Notes:

Socket Assembly for Device: [REDACTED]

MATERIAL:	NAME	DATE
DRAWN BY:	LRF	6/22/2020
FINISH:	CHECKED BY:	ES
	COMMENTS:	6/23/2020
TOLERANCES UNLESS OTHER SPECIFIED: DECIMALS                      ANGLES X.                      ± 1.0                      ± 1° X.X                      ± 0.25 X.XX                      ± 0.10 X.XXX                      ± 0.025		



TITLE: **F14 Socket Assembly**  
**12x20mm, 20-00056**

DWG.# / PART.# OR ASSY.#  
F14-1075-A-00 / F14-1075-A-00

SIZE	PART#	REV
<b>A</b>	<b>F14-1075-A-00</b>	<b>01</b>

**PROPRIETARY AND CONFIDENTIAL**  
THE INFORMATION CONTAINED IN THIS DRAWING IS THE SOLE PROPERTY OF PARICON TECHNOLOGIES CORP. ANY REPRODUCTION IN PART OR AS A WHOLE WITHOUT THE WRITTEN PERMISSION OF PARICON TECHNOLOGIES CORP. IS PROHIBITED.

SCALE: 1:1	UNITS: MM	THIRD ANGLE PROJECTION	SHEET 1 OF 4
------------	-----------	------------------------	--------------

INTERPRET THIS DRAWING IN ACCORDANCE WITH ASME Y14.5-2009

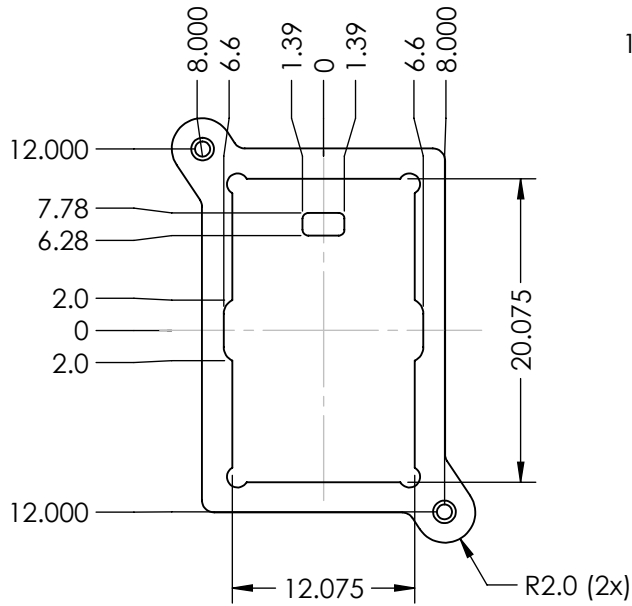
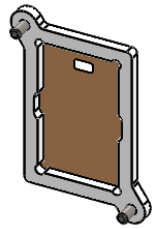
1

2

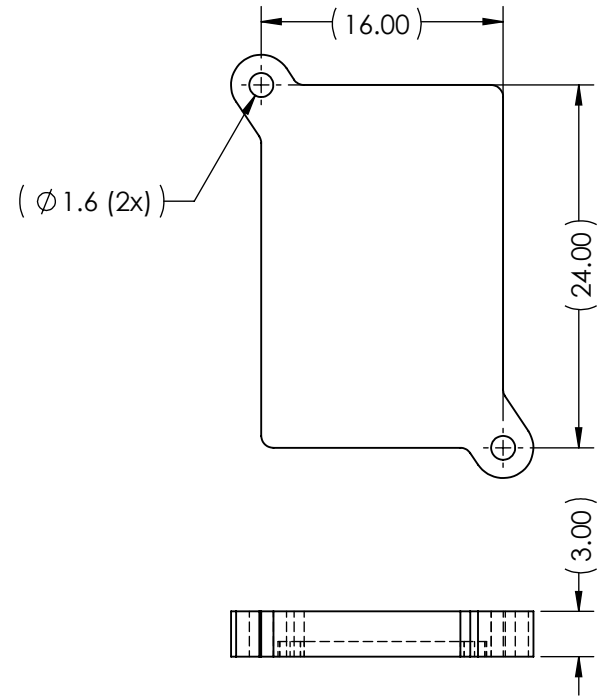
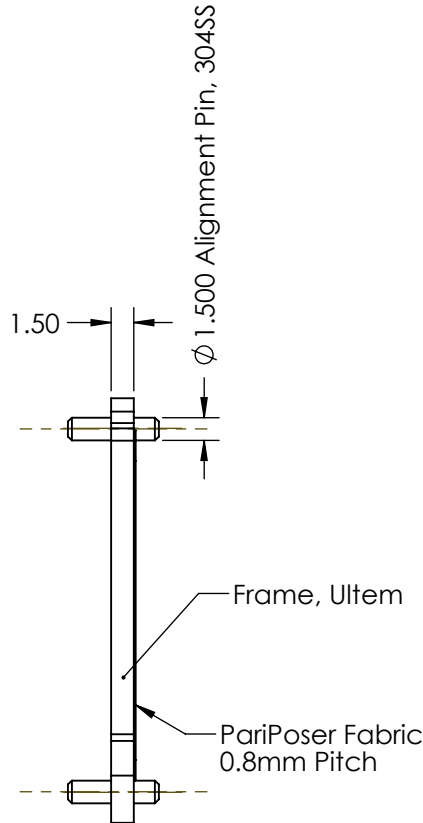
3

4

5



Contactor Frame



Loading Block  
Material: Ultem

Notes:  
Socket Assembly for Device:

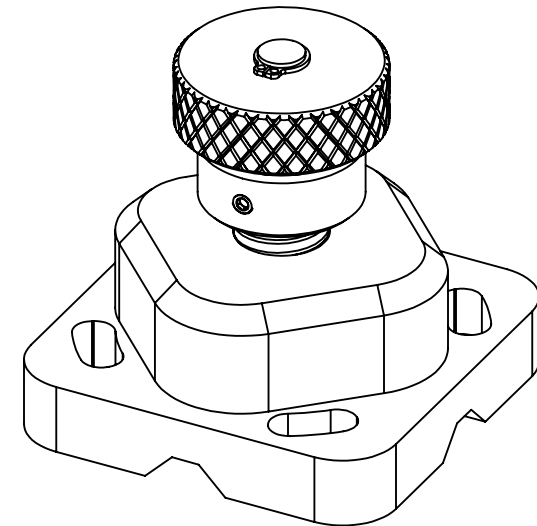
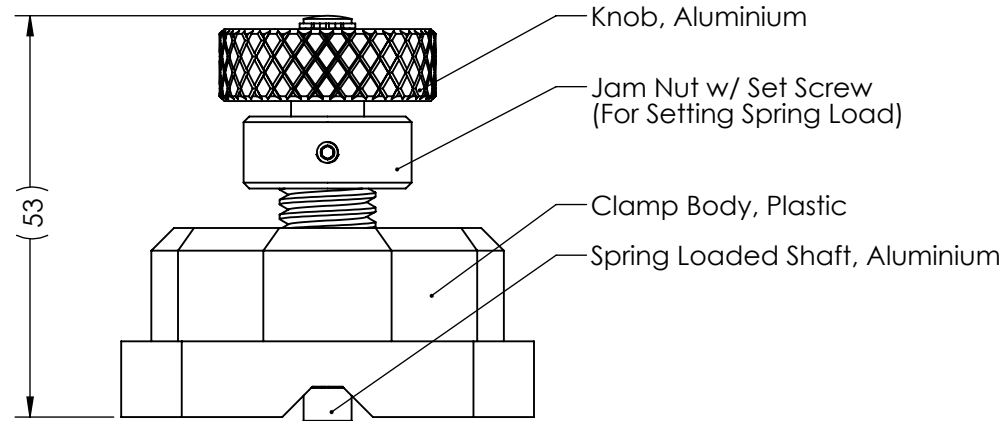
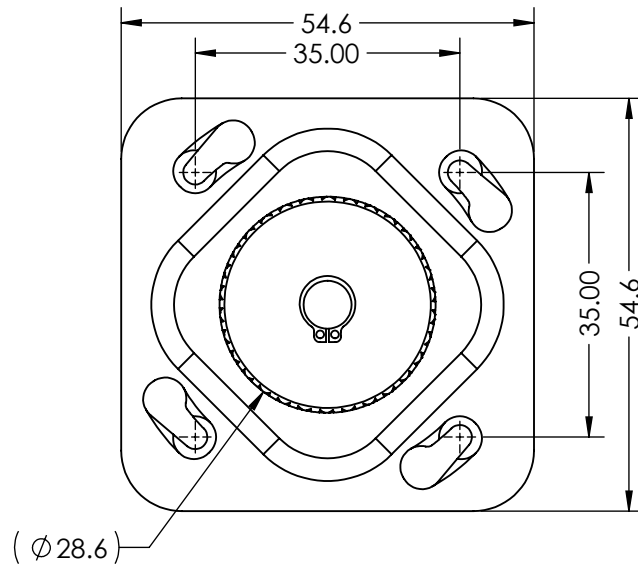
MATERIAL:	NAME	DATE
FINISH:	DRAWN BY: LRF	6/22/2020
TOLERANCES UNLESS OTHER SPECIFIED: DECIMALS                      ANGLES	CHECKED BY: ES	6/23/2020
	COMMENTS:	
X.            ± 1.0            ±1°		
X.X          ± 0.25		
X.XX        ± 0.10		
X.XXX      ± 0.025		
DWG.# / PART.# OR ASSY.# F14-1075-A-00 / F14-1075-A-01		
<b>PROPRIETARY AND CONFIDENTIAL</b>		
THE INFORMATION CONTAINED IN THIS DRAWING IS THE SOLE PROPERTY OF PARICON TECHNOLOGIES CORP. ANY REPRODUCTION IN PART OR AS A WHOLE WITHOUT THE WRITTEN PERMISSION OF PARICON TECHNOLOGIES CORP. IS PROHIBITED.		



TITLE:  
F14 Contactor Assembly  
12x20mm Device

SIZE	PART#	REV
A	F14-1075-A-01	01

SCALE: 2:1    UNITS: MM    THIRD ANGLE PROJECTION    SHEET 2 OF 4



Notes:

Nominal Load: 11kg  
 Number of Turns: ~2.0 Knob Revolutions  
 (After Contact with Device)

Set Jam Nut after Loading and Lock Using Set Screw

MATERIAL:	NAME	DATE
FINISH:	DRAWN BY: LRF	6/22/2020
	CHECKED BY: ES	6/23/2020
TOLERANCES UNLESS OTHER SPECIFIED:		
DECIMALS	ANGLES	
X. ± 1.0	± 1°	
X.X ± 0.25		
X.XX ± 0.10		
X.XXX ± 0.025		
DWG.# / PART.# OR ASSY.#		
F14-1075-A-00 / F14-1075-A-05		

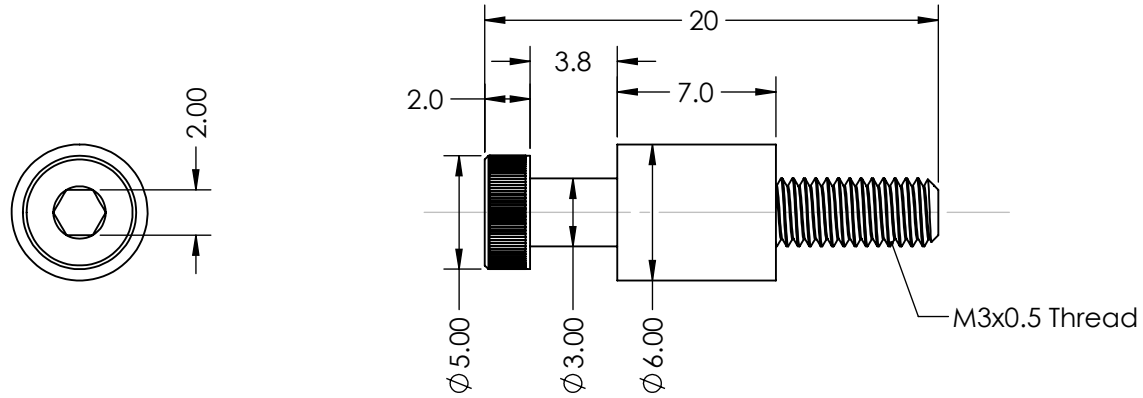
**PROPRIETARY AND CONFIDENTIAL**  
 THE INFORMATION CONTAINED IN THIS DRAWING IS THE SOLE PROPERTY OF PARICON TECHNOLOGIES CORP. ANY REPRODUCTION IN PART OR AS A WHOLE WITHOUT THE WRITTEN PERMISSION OF PARICON TECHNOLOGIES CORP. IS PROHIBITED.



TITLE: **F14 Load Clamp Assembly**

SIZE	PART#	REV
<b>A</b>	<b>F14-1075-A-05</b>	<b>01</b>

SCALE: 1:1 UNITS: MM THIRD ANGLE PROJECTION SHEET 3 OF 4



Notes:

MATERIAL: 304SS	NAME	DATE
FINISH:	DRAWN BY: LRF	6/22/2020
TOLERANCES UNLESS OTHER SPECIFIED: DECIMALS                      ANGLES X.                      ± 1.0                      ± 1° X.X                      ± 0.25 X.XX                      ± 0.10 X.XXX                      ± 0.025	CHECKED BY: ES	6/23/2020
	COMMENTS:	
DWG.# / PART.# OR ASSY.# F14-1075-A-00 / 01-0210-AA00		

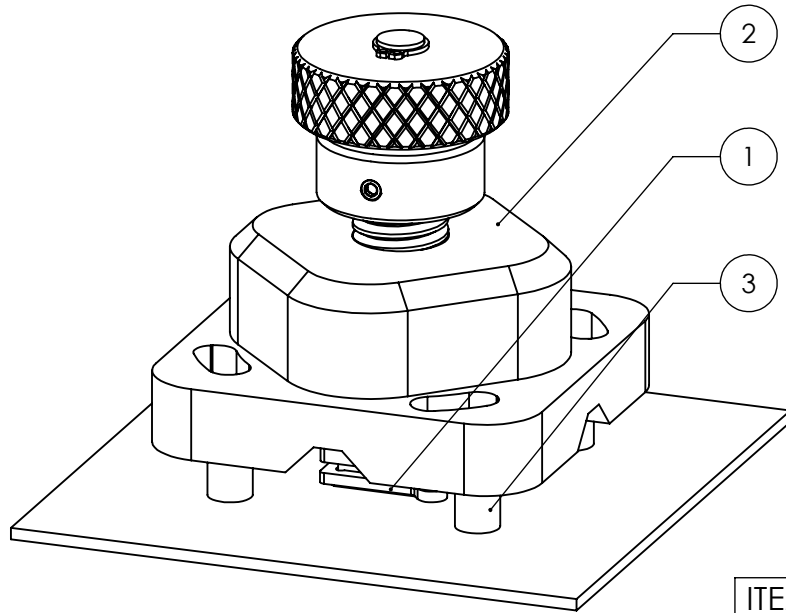


TITLE: F14 Mounting Screw, M3 (4x)

SIZE	PART#	REV
A	01-0210-AA00	01

SCALE: 3:1    UNITS: MM    THIRD ANGLE PROJECTION    SHEET 4 OF 4

REVISION			
REV.	DESCRIPTION	DATE	APPROVED



ITEM NO.	PART NUMBER	DESCRIPTION	QTY.
1	F14-1076-A-01	F14 Contactor Assembly, 12x15mm Device	1
2	F14-1076-A-05	F14 Load Clamp Assembly	1
3	01-0210-AA00	F14 Mounting Screw, M3	4

Notes:  
Socket Assembly for Device:

MATERIAL:	NAME	DATE
DRAWN BY:	LRF	6/22/2020
FINISH:	CHECKED BY:	ES
	COMMENTS:	6/23/2020
TOLERANCES UNLESS OTHER SPECIFIED: DECIMALS                      ANGLES X.                      ± 1.0                      ± 1° X.X                      ± 0.25 X.XX                      ± 0.10 X.XXX                      ± 0.025		
DWG.# / PART.# OR ASSY.# F14-1076-A-00 / F14-1076-A-00		



TITLE:  
F14 Socket Assembly  
12x15mm, 20-00056

DWG.# / PART.# OR ASSY.# F14-1076-A-00 / F14-1076-A-00	SIZE	PART#	REV
<b>PROPRIETARY AND CONFIDENTIAL</b>	A	F14-1076-A-00	01
THE INFORMATION CONTAINED IN THIS DRAWING IS THE SOLE PROPERTY OF PARICON TECHNOLOGIES CORP. ANY REPRODUCTION IN PART OR AS A WHOLE WITHOUT THE WRITTEN PERMISSION OF PARICON TECHNOLOGIES CORP. IS PROHIBITED.	SCALE: 1:1	UNITS: MM	THIRD ANGLE PROJECTION

INTERPRET THIS DRAWING IN ACCORDANCE WITH ASME Y14.5-2009

1

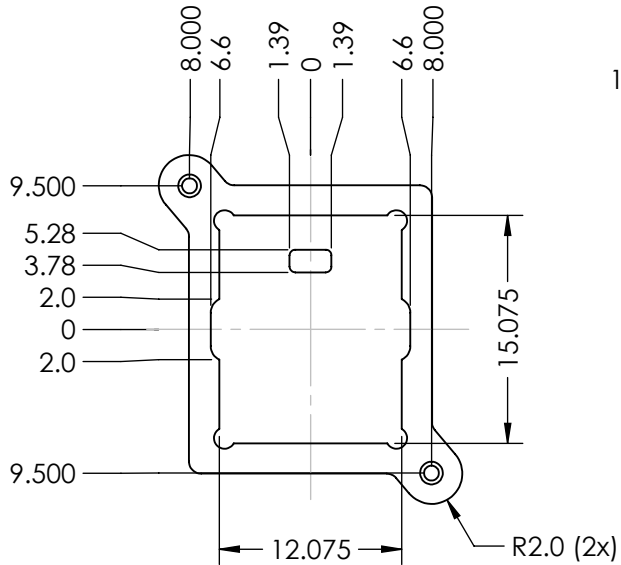
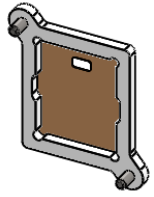
2

3

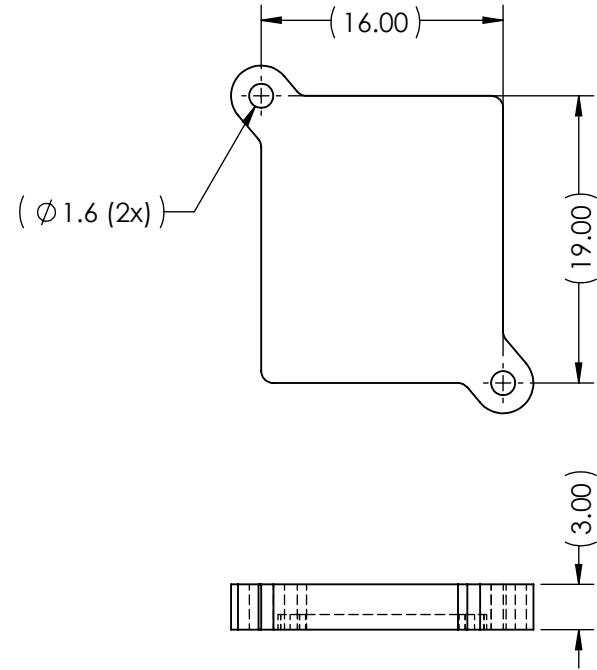
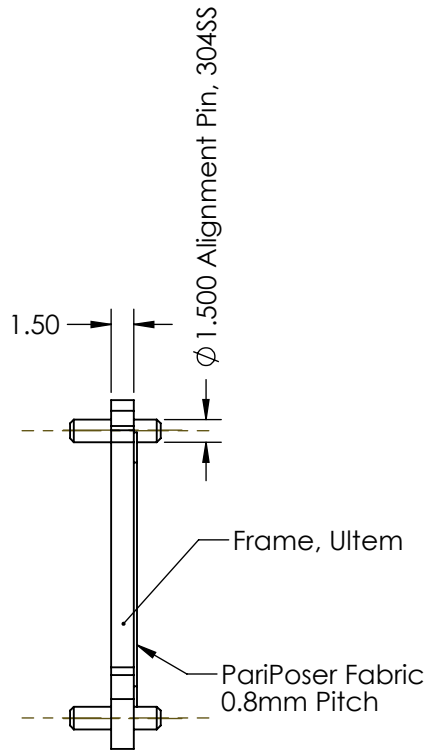
4

5

SHEET 1 OF 4



Contactor Frame



Loading Block  
Material: Ultem

Notes:  
Socket Assembly for Device:

MATERIAL:	NAME	DATE
FINISH:	DRAWN BY: LRF	6/22/2020
	CHECKED BY: ES	6/23/2020
COMMENTS:		
TOLERANCES UNLESS OTHER SPECIFIED:		
DECIMALS	ANGLES	
X. ± 1.0	± 1°	
X.X ± 0.25		
X.XX ± 0.10		
X.XXX ± 0.025		
DWG.# / PART.# OR ASSY.#		
F14-1076-A-00 / F14-1076-A-01		

**PROPRIETARY AND CONFIDENTIAL**

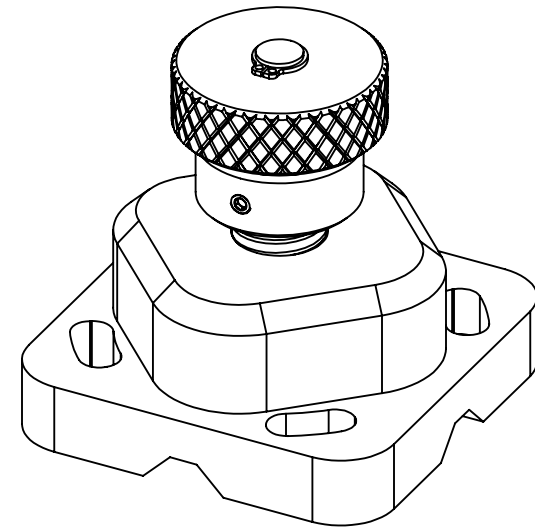
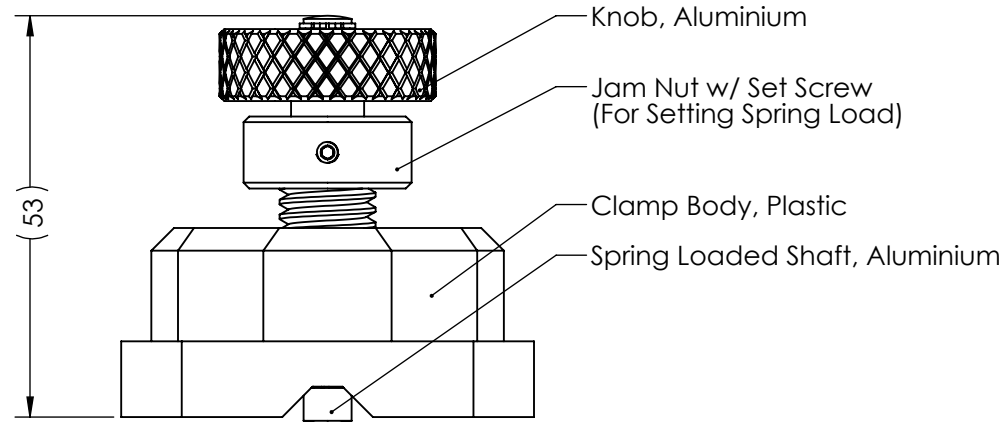
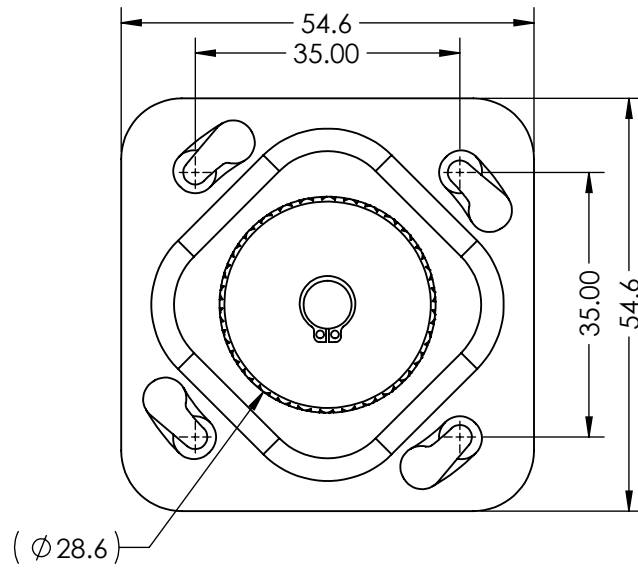
THE INFORMATION CONTAINED IN THIS DRAWING IS THE SOLE PROPERTY OF PARICON TECHNOLOGIES CORP. ANY REPRODUCTION IN PART OR AS A WHOLE WITHOUT THE WRITTEN PERMISSION OF PARICON TECHNOLOGIES CORP. IS PROHIBITED.



TITLE:  
F14 Contactor Assembly  
12x15mm Device

SIZE	PART#	REV
A	F14-1076-A-01	01

SCALE: 2:1 UNITS: MM THIRD ANGLE PROJECTION SHEET 2 OF 4



Notes:

Nominal Load: 9kg  
 Number of Turns: ~1.5 Knob Revolutions  
 (After Contact with Device)

Set Jam Nut after Loading and Lock Using Set Screw

MATERIAL:	NAME	DATE
FINISH:	DRAWN BY: LRF	6/22/2020
	CHECKED BY: ES	6/23/2020
COMMENTS:		
TOLERANCES UNLESS OTHER SPECIFIED: DECIMALS                      ANGLES X.            ± 1.0                      ±1° X.X          ± 0.25 X.XX        ± 0.10 X.XXX      ± 0.025		
DWG.# / PART.# OR ASSY.# F14-1076-A-00 / F14-1076-A-05		

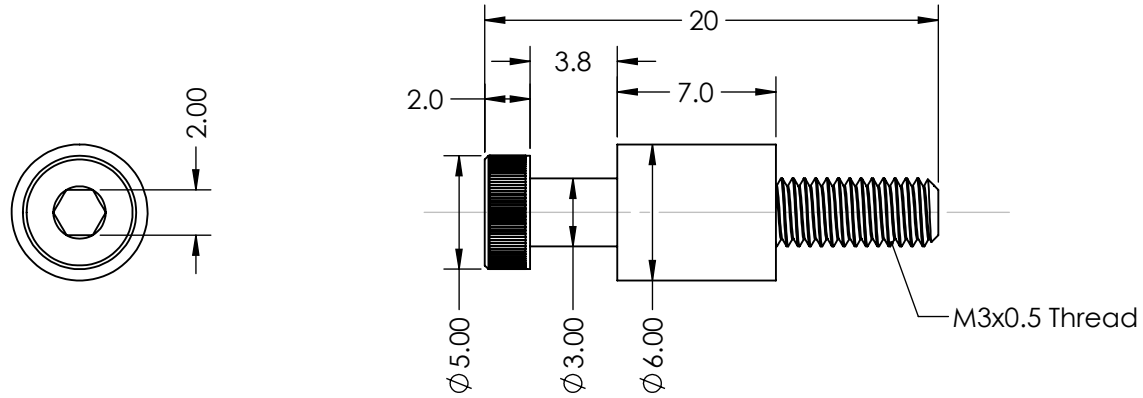


TITLE: F14 Load Clamp Assembly

SIZE	PART#	REV
A	F14-1076-A-05	01

SCALE: 1:1    UNITS: MM    THIRD ANGLE PROJECTION    SHEET 3 OF 4

INTERPRET THIS DRAWING IN ACCORDANCE WITH ASME Y14.5-2009



Notes:

MATERIAL: 304SS	NAME	DATE
FINISH:	DRAWN BY: LRF	6/22/2020
	CHECKED BY: ES	6/23/2020
TOLERANCES UNLESS OTHER SPECIFIED: DECIMALS                      ANGLES		
X.	± 1.0	± 1°
X.X	± 0.25	
X.XX	± 0.10	
X.XXX	± 0.025	
DWG.# / PART.# OR ASSY.# F14-1076-A-00 / 01-0210-AA00		
<b>PROPRIETARY AND CONFIDENTIAL</b>		



TITLE:  
F14 Mounting Screw, M3  
(4x)

SIZE	PART#	REV
A	01-0210-AA00	01
SCALE: 3:1	UNITS: MM	THIRD ANGLE PROJECTION

INTERPRET THIS DRAWING IN ACCORDANCE WITH ASME Y14.5-2009