

**CONTROL DRAWING**

microbend MTR-XX

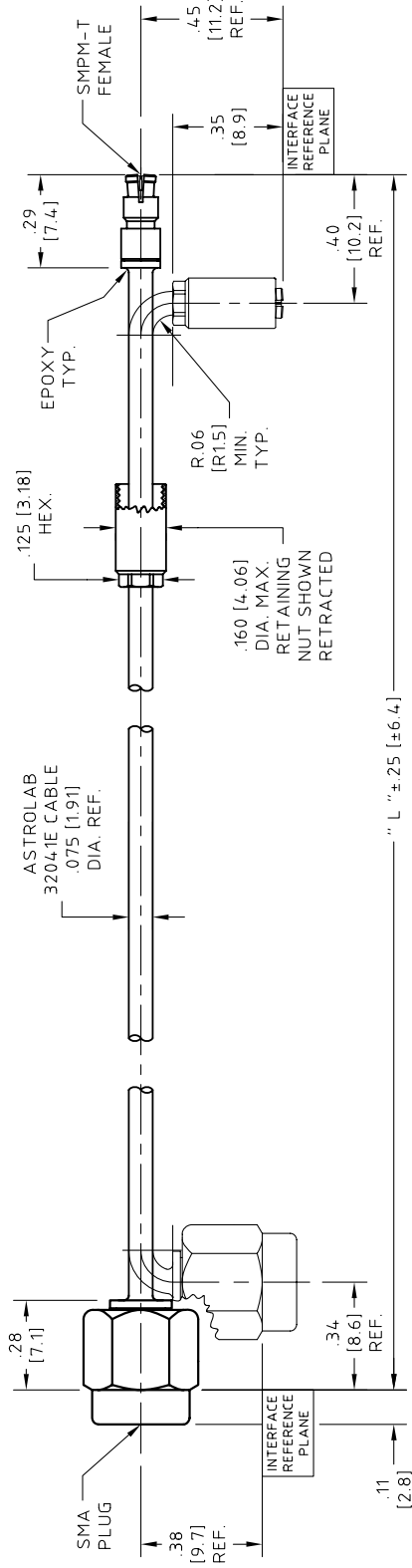
A

ASTROLAB PART NUMBER	DIMENSION "L" IN	2.0 GHz		18.0 GHz		26.5 GHz	
		VSWR	IL, dB	VSWR	IL, dB	VSWR	IL, dB
microbend MTR-2	2.00 [50.8]	1.25:1	0.23	1.45:1	0.59	1.50:1	0.73
microbend MTR-2.5	2.50 [63.5]	1.25:1	0.26	1.45:1	0.66	1.50:1	0.81
microbend MTR-3	3.00 [76.2]	1.25:1	0.28	1.45:1	0.72	1.50:1	0.88
microbend MTR-3.5	3.50 [88.9]	1.25:1	0.29	1.45:1	0.78	1.50:1	0.96
microbend MTR-4	4.00 [101.6]	1.25:1	0.31	1.45:1	0.84	1.50:1	1.03
microbend MTR-4.5	4.50 [114.3]	1.25:1	0.33	1.45:1	0.90	1.50:1	1.11
microbend MTR-5	5.00 [127.0]	1.25:1	0.35	1.45:1	0.96	1.50:1	1.18
microbend MTR-5.5	5.50 [139.7]	1.25:1	0.37	1.45:1	1.02	1.50:1	1.26
microbend MTR-6	6.00 [152.4]	1.25:1	0.39	1.45:1	1.09	1.50:1	1.33
microbend MTR-6.5	6.50 [165.1]	1.25:1	0.41	1.45:1	1.15	1.50:1	1.40
microbend MTR-7	7.00 [177.8]	1.25:1	0.43	1.45:1	1.21	1.50:1	1.48
microbend MTR-8	8.00 [203.2]	1.25:1	0.47	1.45:1	1.33	1.50:1	1.63
microbend MTR-9	9.00 [228.6]	1.25:1	0.51	1.45:1	1.45	1.50:1	1.78
microbend MTR-10	10.00 [254.0]	1.25:1	0.54	1.45:1	1.57	1.50:1	1.93
microbend MTR-11	11.00 [279.4]	1.25:1	0.58	1.45:1	1.69	1.50:1	2.08
microbend MTR-12	12.00 [304.8]	1.25:1	0.62	1.45:1	1.81	1.50:1	2.23
microbend MTR-							

NOTES:  
1. DESCRIPTION: CABLE ASSEMBLY, SMA PLUG TO SMPM-T THREADED FEMALE CONNECTOR. THE RETAINING NUT GUARANTEES FULL AND CONSTANT SMPM-T CONNECTOR MATING DURING VIBRATION AND SHOCK.  
2. CABLE, COAXIAL CABLE ASTROLAB P/N 3204-1E MEETS OR EXCEEDS MIL-DTL-17 FOR MATERIALS AND FINISHES. SEE ASTROLAB CONTROL DRAWING.  
3. CONNECTOR -A-, SMA PLUG: ASTROLAB P/N 29094CR-32-41 IAW MIL-STD-348. SEE ASTROLAB CONTROL DRAWING FOR MATERIALS AND FINISHES.  
4. CONNECTOR -B-, SMPM-T THREADED FEMALE CONNECTOR IAW MIL-STD-348. ASTROLAB P/N 29971TCR-32-41 SEE ASTROLAB CONTROL DRAWING FOR MATERIALS AND FINISHES.

NOTES CONTINUED:  
5. MARKING, NO MARKING ON CABLE ASSEMBLY ALL MARKING ON PACKAGING.  
6. ELECTRICAL CHARACTERISTICS, 50.0 Ohms NOMINAL. FREQUENCY, INSERTION LOSS AND VSWR SEE CHART.  
7. MECHANICAL, OPERATING TEMPERATURE RANGE, -55° C TO +125° C. CABLE ASSEMBLY LENGTH "L" MEASURED IAW MIL-PRF-55427.  
8. TORQUE RETAINING NUT TO 22.0±2.0 IN-OZ [0.155 Nm±0.014Nm].

ALL microbend CABLE ASSEMBLIES ARE 99.9% LEAD FREE BY WEIGHT.



NAME	DATE	<p><b>astrolab</b><sup>®</sup> INC. WARREN, NJ</p> <p>THIS DRAWING CONTAINS PATENTABLE AND PROPRIETARY INFORMATION. THE DESIGN CANNOT BE USED WITHOUT WRITTEN PERMISSION OF ASTROLAB</p>		
PREP.	03/20/09			
ELEC.				
MECH.				
Q.C.				
TITLE	CABLE ASSEMBLY, SMA PLUG TO SMPM-T THREADED FEMALE.			
FRACTIONS	± 1/16			
X	± .030			
XX	± .015			
XXX	± .005			
ANGLES	± 1°			
DO	NOT SCALE			
REV.	DESCRIPTION	DATE	BY	APPROVED
A	ECN No. 12488	03/20/09	EF	
REV.	DESCRIPTION	SCALE	CODE IDENT.	DWG NO.
	microbend MTR-XX	2:1	16301	microbend MTR-XX
				REV
				A

UNLESS OTHERWISE SPECIFIED CORNERS AND FILLETS .004 T.I.R. SURFACE FINISH PER MIL-PRF-20000. SURFACE FINISH PER MIL-PRF-20000 OR BETTER. MICROINCHES OR BETTER.

THIS DRAWING IS THE PROPERTY OF ASTROLAB. IT IS TO BE USED ONLY FOR THE PURPOSES SPECIFIED HEREIN. FOR FEDERAL ACQUISITION SERVICES 1950 SUPPL. TO HANDBOOK H 28.