

CONFIGURATION CONTROL	
LEVEL	EFFECTIVE DATE
0 <input checked="" type="checkbox"/>	_____
1 <input type="checkbox"/>	_____
2 <input type="checkbox"/>	_____
3 <input type="checkbox"/>	_____

REVISIONS			
REV.	DESCRIPTION	DATE	APPROVED
A	PRODUCTION RELEASE	11/4/98	J.A.
B	REVISED PER ECO #8012	11/17/04	J.S.

Nominal Coil Voltage	Part Number		
	SP3T	SP4T	SP6T
12 Vdc	531-5201	541-5201	561-5201
24 Vdc	531-5801	541-5801	561-5801
28 Vdc	531-5301	541-5301	561-5301

REVISIONS	B	B	B			
SHEET NO.	1	2	3			
APPROVALS			DATE			
DRAWN	S. LEE		11/16/04			
ENG	S. LEE		11/16/04			
ENG. MGR.	R. SZNUK		11/16/04			
SALES MGR.	A. CHEUNG		11/17/04			
Q.A. MGR.	R. MATSUMOTO		11/17/04			
MFG. MGR.	R. GONZALEZ		11/17/04			



**DowKey®**  
**Microwave**  
CORPORATION

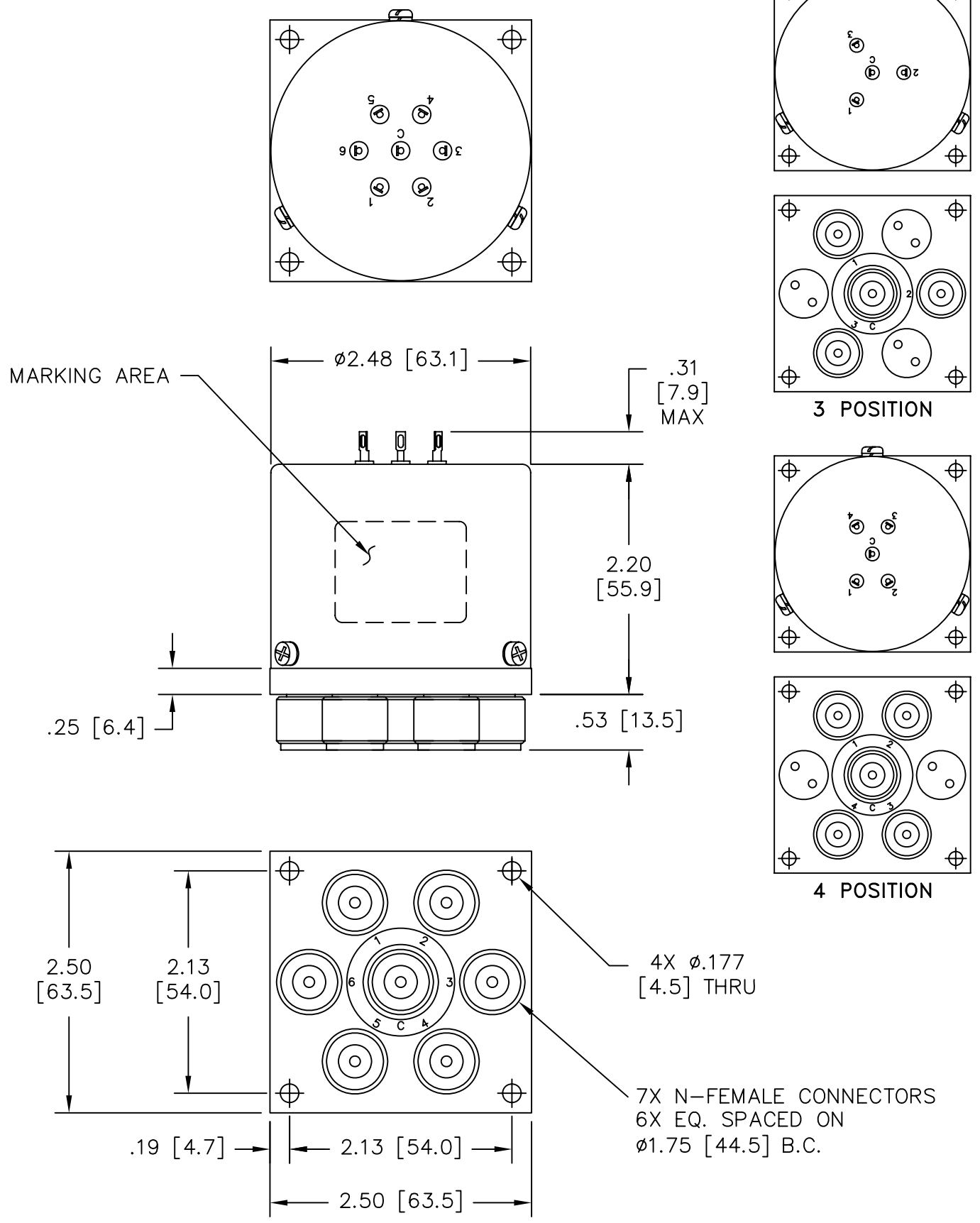
4822 McGrath Street  
Ventura, CA. 93003-5641  
PH: (805) 650-0260  
FAX: (805) 650-1734

A **DOVER** TECHNOLOGIES COMPANY

SWITCH, 3-6 POSITION, NORMALLY OPEN  
N-FEMALE CONNECTORS

CODE IDENT. NO.	DWG. NO.	SCALE	NONE	FINAL ASSY:	SHEET 1 OF 3
00471	5X1-5X01				

**OUTLINE DRAWING:**



[ ] MILLIMETERS

UNLESS OTHERWISE SPECIFIED TOLERANCES ARE: .XXX ±.010 ANGLES: ±3° .XX ±.030	CODE IDENT. NO. 00471	DWG. NO. 5X1-5X01	REV. B
	SCALE NONE	SHEET 2 OF 3	

## SPECIFICATIONS:

### 1. RF CHARACTERISTICS:

1.1 FREQUENCY (GHz):	DC-4	4-8	8-12.4
1.2 VSWR (MAX.):	1.25:1	1.35:1	1.70:1
1.3 INSERTION LOSS (MAX.):	0.30dB	0.40dB	0.70dB
1.4 ISOLATION (MIN.):	70dB	60dB	55dB
1.5 RF POWER, WATTS (CW):	175	125	100

### 2. ACTUATION DATA:

2.1

NOMINAL VOLTAGE	OPERATING VOLTAGE	CURRENT (TYP) @ NOMINAL VOLTAGE & 25°C
12	11-14	100mA
24	20-28	65mA
28	24-32	55mA

- 2.2 SWITCHING TIME: 20ms MAX.  
2.3 OPERATING MODE: NORMALLY OPEN

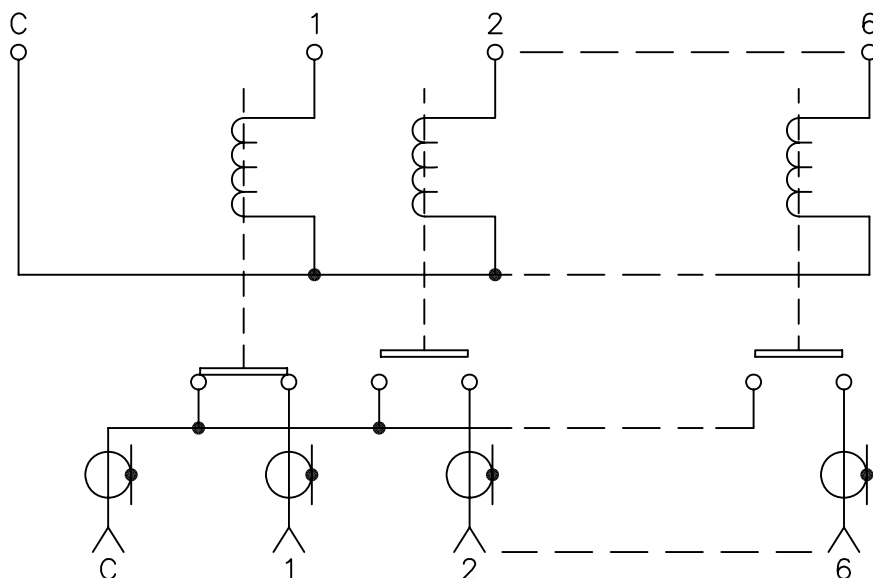
### 3. MECHANICAL:

- 3.1 RF CONTACTS: BREAK BEFORE MAKE  
3.2 WEIGHT, NOMINAL: 17.0oz. (482g.)  
3.3 DESIGN LIFE (MIN.): 1,000,000 CYCLES

### 4. ENVIRONMENTAL:

- 4.1 OPERATING TEMPERATURE: -25°C TO +65°C  
4.2 STORAGE TEMPERATURE: -55°C TO +85°C  
4.3 SEAL: SAND AND DUST

## SCHMATIC:



TERMINALS NOT POLARITY SENSITIVE

CODE IDENT. NO. 00471	DWG. NO. 5X1-5X01	REV. B
SCALE NONE	SHEET 3 OF 3	