

Description

Mi-Wave's 261 Series standard gain horns are fabricated with very closetolerances to ensure the precision of every horn manufactured by MiWave. Each unit is joined to a short section of rectangular wave-guide.

Notes

S/N: 58Y11Q 68Y11G

Electrical Specifications

	Minimal	Typical	Maximum
Frequency	110 GHz		170 GHz
Gain		25 dBi	
Polarization		Linear	
3 dB Beamwidth, E-Plane		9°	
3 dB Beamwidth, H-Plane		10°	
Side Lobes, E-Plane		20 dB	
Side Lobes, H-Plane		20 dB	
VSWR		1.15:1 dB	

Physical Specifications

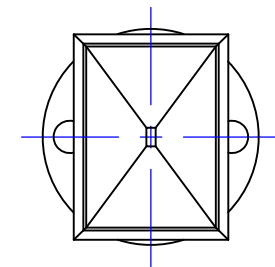
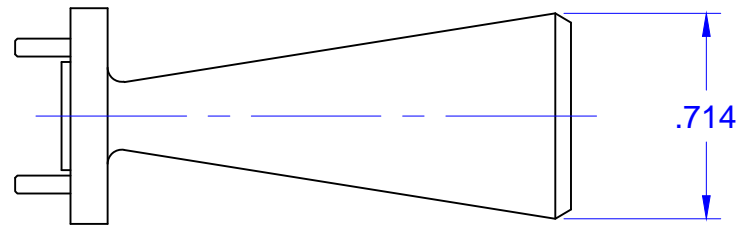
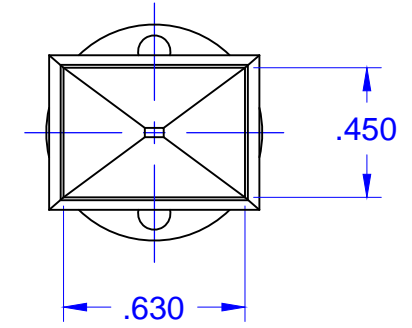
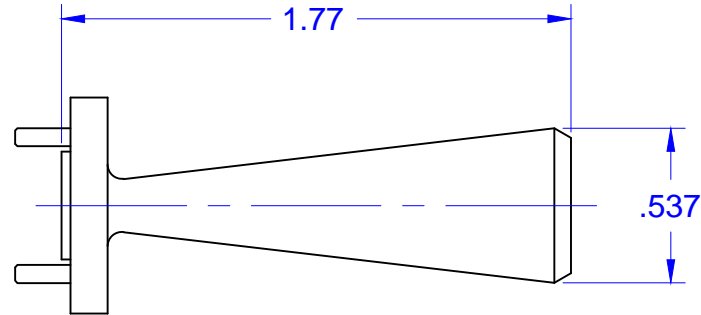
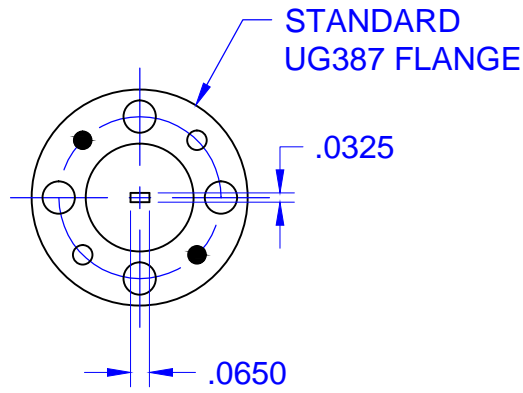
Antenna Port	WR-06 Waveguide
Flange Type	UG-387/U-M Flange
Material Type	Brass
Finish	Gold Plated

Tested by: NA

Date: 2024-05-31



REVISIONS			
REV	DESCRIPTION	DATE	APPROVED
--	--	--	--



ALL DIMENSIONS ARE REFERENCE ONLY

QTY	PART NUMBER	OUTLINE DESCRIPTION		ITEM
		Mi-Wave Millimeter Products Inc.		
UNLESS OTHERWISE SPECIFIED ALL SURFACES $\sqrt{32}$		THIRD ANGLE PROJECTION		TITLE
DIMENSIONS ARE IN INCHES TOLERANCES ARE: DECIMALS: .1234 +/- .0005 .123 +/- .005 .12 +/- .01 ANGLES: +/- .5 DEGREES		DRAFTING: MRN APPROVED: M.S. DATE: 6/6/2011		261D-25/387 OUTLINE
ALL THREADS TO BE 2A OR 2B		SHEET NO. 1	OF 1	SIZE A
REF DWG# --				DWG NO 21001